



Grip	Weight	Cylinder clamping power
LA100-HZ	69 kg	80 kN
LA120-HZ	82 kg	105 kN
LA140-HZ	139 kg	105 kN
LA140-EZ	169 kg	105 kN
LA170-DZ	260 kg	155 kN
LA180-HZ	179 kg	105 kN
LA200-DZ	365 kg	155 kN

LA100-HZ
 Dimensions: 297, 665, 437, 43

LA120-HZ
 Dimensions: 327, 699, 414, 73

LA140-HZ
 Dimensions: 420, 871, 420, 80

LA140-EZ
 Dimensions: 501, 871, 520, 81

LA170-DZ
 Dimensions: 417, 830, 830, 605, 115

LA180-HZ
 Dimensions: 367, 915, 570, 146

LA200-DZ
 Dimensions: 544, 1195, 704, 126

LASCO LOG GRIPS

Our log grips are made in modular design and over-dimensioning of all highly stressed parts (e.g. cylinder double, guide rods, bearings) and are extremely robust due to the use of HARDOX.

Grease nipple protection and powder coating isn't missing either! All log grips have a universal hole pattern for rotator connection. An adapter is available for bolted rotators!



extra strong version

universal hole pattern

double parallel rods

box construction

Galvanized and full-length shaft

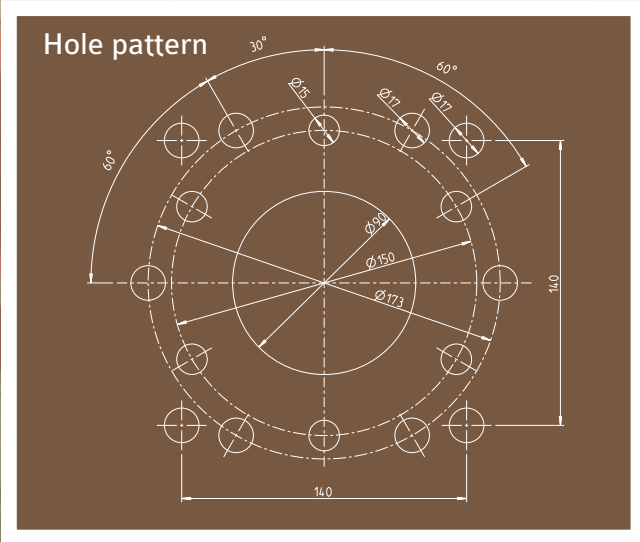


Lubrication nipple protection

isosceles opening

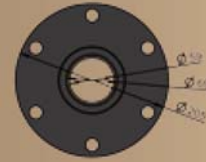
Hardox gripper jaws

LASCO LOG GRIP ACCESSORIES



Pendulum adapter

Bolt adapter



Type	FHR 3.000 SF	GR 46	GR 463	GR 105 DB
Rotation range:	endless	endless	endless	endless
max axial load:	3,0 t. / 30 kN	4,5 t. / 45 kN	4,5 t. / 45 kN	10 t. / 100 kN
Optimal litre output:	20 l/min	20 l/min	20 l/min	30 l/min
Weight:	25 kg	23 kg	27 kg	62 kg
Attachment:	140 x 140 mm Bore 4 x Ø 17 mm	Bolzen Ø 59 mm	Bolt circle Ø 173 mm Bore 4 x Ø 17 mm	Bolt circle Ø 173 mm Bore 6 x Ø 17 mm
max. operating pressure:	250 bar	250 bar	250 bar	250 bar
Torque at 250 bar:	900 Nm	1200 Nm	1200 Nm	2700 Nm